



Diesel Engine Fumigation



Flare Pilot

# Compact Filter Model PB



**Fuel Gas Filter / Coalescing System**  
**Small Rugged Triton® High Efficiency**  
 Stop the fouling created by wet and/or dirty gaseous fuels.

A solution in a small package provides adequate equipment protection at the point of use where it is needed without the cost of a total system clean-up.

**Applications (protection):**

- Diesel Engine Fumigation
- Natural Gas Engines
- Small Gas Turbines
- Process Burner
- Boiler Burner
- Compressor
- Flare Pilot

**Materials of Construction.**

- Vessel: Carbon Steel - Epoxy Coated
- Closure: Carbon Steel - Epoxy Coated
- Closure Seal: Viton® O-Ring
- Swing Bolts: Carbon Steel
- Also Available in all 316 Stainless Steel-

**Recommended Operating Conditions.**

- 2PB: -20 to 250°F, 300 psig MAWP
- 3PB: -20 to 250°F, 150 psig MAWP
- Caution: Freezing conditions may cause internal icing and damage filter element.

**Filter Cartridge Specifications.**

- Filter/Coalescing Element
- 0.3 micron - 99.9% efficient
- Tin Plated Steel Core, Synthetic Media
- Viton® Internal Seal
- Inside to Outside Flow
- Element Collapse - 23psid
- Recommended Change Out - 10 psid



**Features:**

- Triton® Filter Technology removes 99.9% of particulate and liquid aerosols 0.3 micron (um) and larger. Single element design
- Swing bolts with eye nuts allow fast and easy element change-out without special tools.
- Bottom Inlet / Side Outlet plumbing not disturbed for element replacement.
- Single O-Ring closure assures quick and positive cover sealing.
- Can be mounted vertically (as pictured) or up to 45 degree angle in any direction.

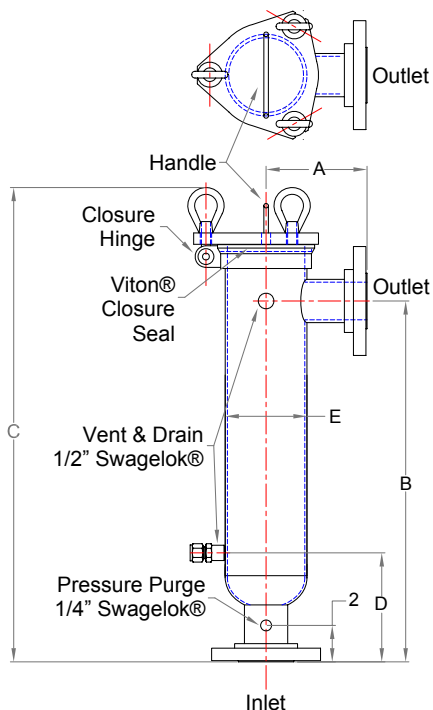
**Gas Flow Rate (cfm)**  
**Sg = 0.65 @ 60°F, 2psid**

Pressure (psig)	2PB (cfm)	3PB (cfm)
300	1500	4000
200	1250	3300
100	900	2000
70	700	1600
50	550	1430
40	500	1200
30	400	1000
20	300	800
10	200	500
5	130	300

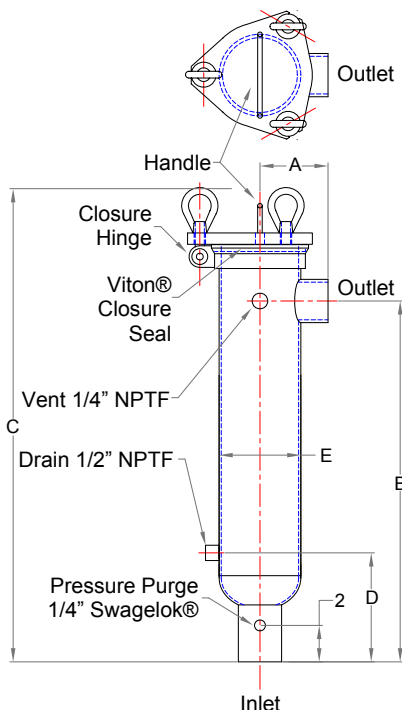


# MODEL PB GAS FILTER / COALESCER

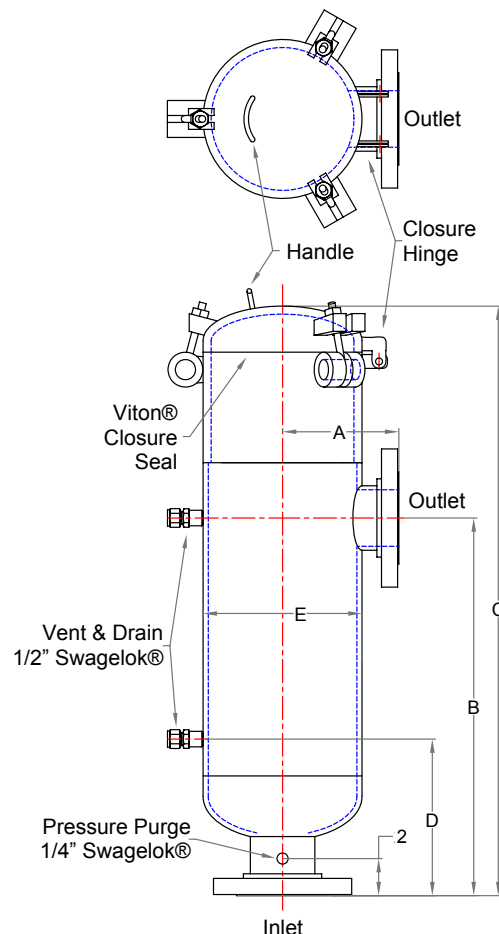
Flange Inlet / Outlet  
2PBFS / 3PBFS




NPT Inlet / Outlet  
2PB / 3PB



ASME Code Stamped  
Flange Inlet / Outlet  
2PBFSASME / 3PBFSASME



\*Isolation valve (not included) is recommended with Automatic Liquid Float Drain. The Sight Window with Drain Valve can also be used as an isolation valve when installed with the Automatic Float Drain.

OPTIONS (add ons must be assembled in the field)	
* Automatic Liquid Float Drain (3/4" x 1/2" NPT)	Sight Window with Drain Valve (1/2" NPT)
	

Model #	2PB	2PBFS	2PBFSASME	3PB	3PBFS	3PBFSASME
Inlet / Outlet (size - type)	2" NPTF	2" 150# Flange	2" 150# Flange	3" NPTF	3" 150# Flange	3" 150# Flange
Dimension A	3-3/4"	5-3/16"	6-3/16"	6-1/2"	6-1/2"	6-1/2"
Dimension B	19-7/8"	19-7/8"	20-1/2"	20-1/2"	20-1/2"	20-1/2"
Dimension C	26"	26"	30-1/2"	27-1/2"	27-1/2"	32"
Dimension D	5"	6"	7"	8-1/2"	8-1/2"	8-1/2"
Dimension E	4-1/2"	4-1/2"	6/5/8"	8-5/8"	8-5/8"	8-5/8"
Element Kit	TRE1150K	TRE1150K	TRE1150K	TRE1180K	TRE1180K	TRE1180K

Filtration Technologies LLC  
1255 Research Blvd., Bldg B  
St Louis, MO 63132  
(314) 432-2896  
www.FiltrationTechnologies.com  
FTP1010B-4© Filtration Technologies  
LLC All Rights Reserved 2014 (August)

Viton is a registered trademark of DuPont  
Swagelok is a registered trademark of Swagelok Corporation